



SOLATUBE®

DE ORIGINELE DAGLICHTBUIS

Installation Instructions

Solatube Ø 35 cm

Round Wall-mounted

Geniet van daglicht

Contents

1. Product Overview	3
1.1 Parts	4
1.2 Optional Parts	4
2. Installation Steps	5
2.1 Step 1 – Wall mount casing	5
2.2 Step 2 – Drill holes for securing the wall mount casing	6
2.3 Step 3 – Cut the casing to size	6
2.4 Step 4 – Insulate top and bottom tube assembly	7
2.5 Step 5 – Install the top tube in to the wall mount casing	7
2.6 Step 6 – Install the wall mount casing	8
2.7 Step 7 – Fix the wall mount casing	8
2.8 Step 8 – Fit LightTracker flex dome insert	9
2.9 Step 9 – Fit RayBenders flex dome inserts	9
2.10 Step 10 – Fit the dome	10
2.11 Step 11 – Apply the sealing strip	10
2.12 Step 12 – Install bottom tube assembly	11
2.13 Step 13 – Fit the natural Effect Lens	11
2.13 Step 14 – Fit the ceiling diffuser	12

Version

22-05-2020

Safety Information

- Always observe the safety instructions for the materials and tools to be used.
- Always wear the appropriate personal protective equipment (gloves, safety goggles etc.)
- We would suggest that any roof works is completed by an experienced roofer.
- Always have any electrical works carried out by a certified electrician.
- Please note that the installation works is carried out at your own risk.

Guarantee

Non-electrical Solatube® components are covered by a 10 year manufacturer's warranty against any manufacturing defects. Please retain the original proof of purchase to validate the product warranty. Any costs associated to the installation of any replacement parts covered under the warranty remain at the expense of the purchaser. Our terms and conditions are available upon request.

Disclaimer

Techcomlight Limited expressly disclaims any liability for any unexpected additional expense arising as a result of condensation or any water damage resulting from condensation, installation not in accordance with Techcomlight Limited's installation guide/s or any other external influences beyond the control of Techcomlight Limited. Techcomlight cannot be held liable for damage to structures caused as a result of making openings and installing Solatube® systems. Techcomlight assumes no responsibility or obligation for the failure of an architect, contractor, installer or building owner to comply with all applicable laws, ordinances, building codes, energy codes, fire and safety codes and requirements, and adequate safety measures.

Installation instructions reserved. No rights can be derived from this publication.

1. Product Overview



1.1 System Parts

1. Dome flex
2. LightTracker flex
3. 2 x Raybenders flex
4. Top tube assembly
5. Bottom tube assembly
6. Natural Effect Lens
7. Wall mount casing
8. Diffuser mounting ring
9. Sealing strip
10. 5 x screws for top tube assembly

1.2 Optional Parts

1. Expanding resin (eg pliers kit)
2. 6.5mm Multi-foil insulation (eg Alkraflex)
3. Adhesive / sealant(eg Polymax)

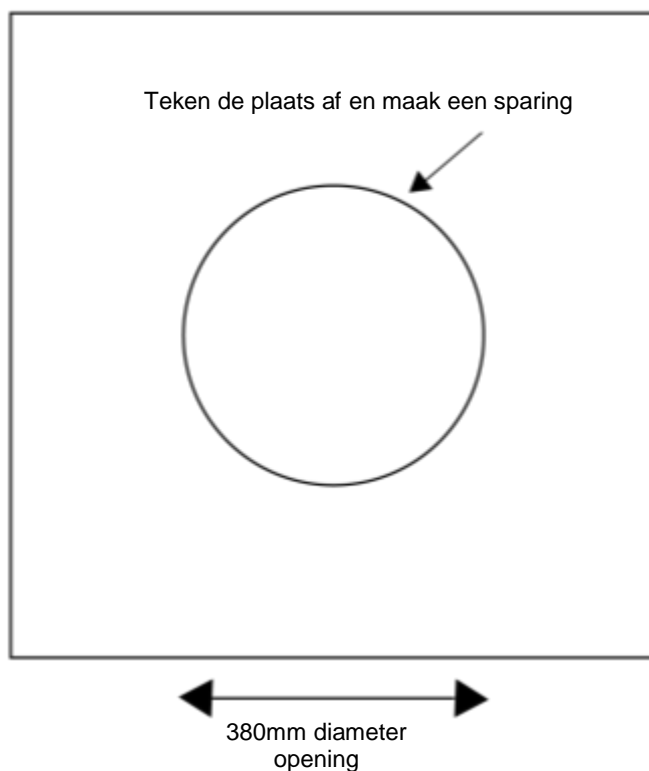
2. Installation Steps

2.1 Step 1 – Wall mount casing

Determine where you want to position the Solatube from the inside. It is always recommended to install the Solatube in a place that receives as much direct sunlight as possible, preferably a South facing facade.

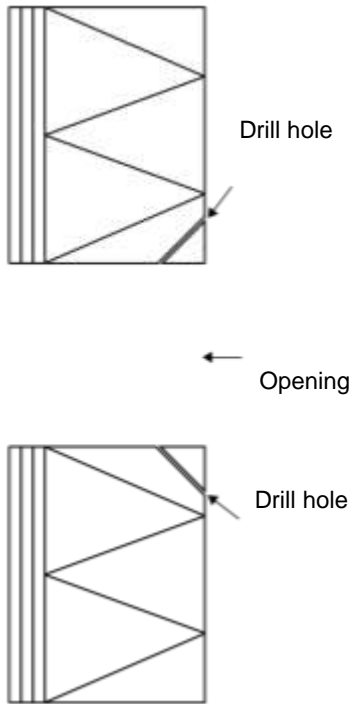
Note: Consult someone with structural knowledge (such as a builder etc.) to confirm as to whether the opening can be created without structural modifications (installation of a lintel etc.).

Create a circular opening of 380 mm in diameter through the wall (both internal and external skins).



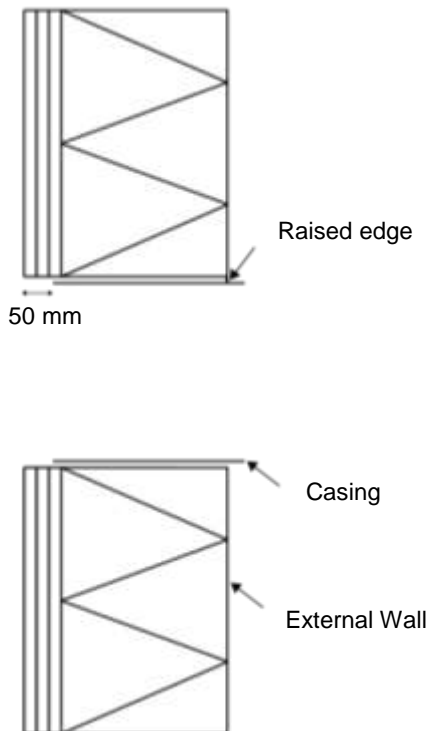
2.2 Step 2 - Drill holes for securing the wall mount casing

Drill 4 holes (10/12 mm) on the outside (preferably in the joint) at an angle to the casing. The holes must be drilled top, bottom, left and right. These holes are used later to secure the casing into the wall.



2.3 Step 3 - Cut the casing to size

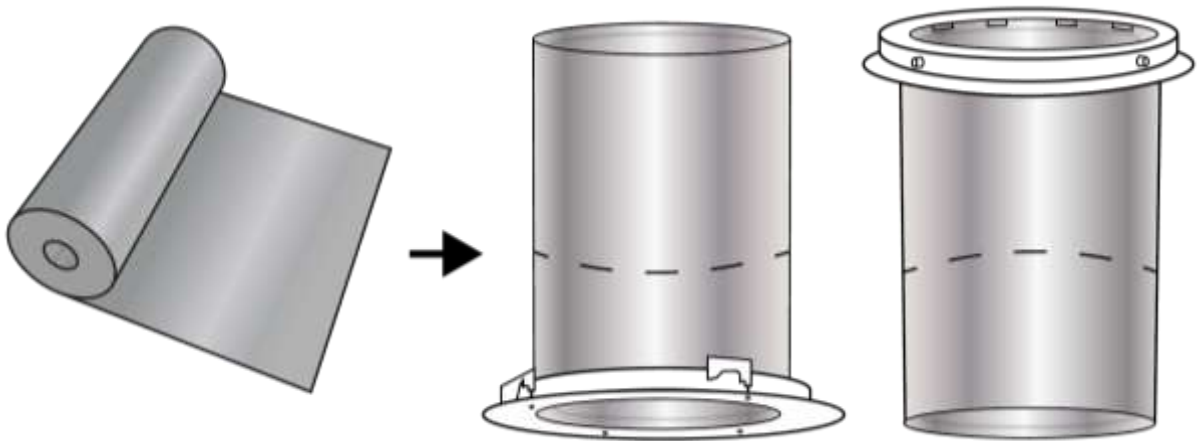
Measure the total wall thickness (from face of the external wall to the face of the internal wall). Cut the longer side of the case to a length that is 50 mm shorter than the total wall thickness. The shorter side of the casing should protrude from the face of the external wall as shown below.



2.4 Step 4 - Insulate top and bottom tube assembly

Insulate both the top and bottom tube assembly with 6.5mm thick multi-foil insulation (such as Alkreflex etc.)

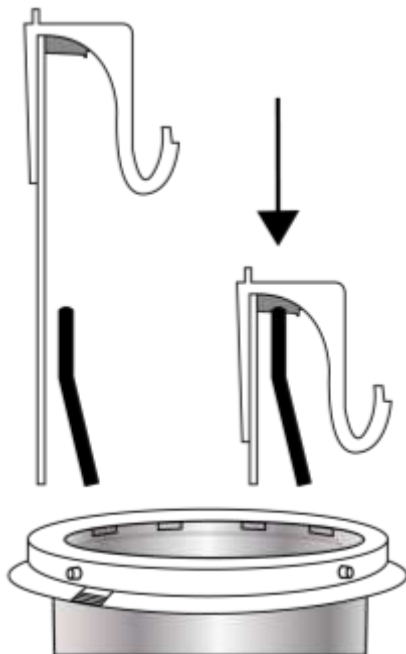
Note: Multi-foil insulation is not included.



2.5 Step 5 - Install the top tube into the wall mount casing

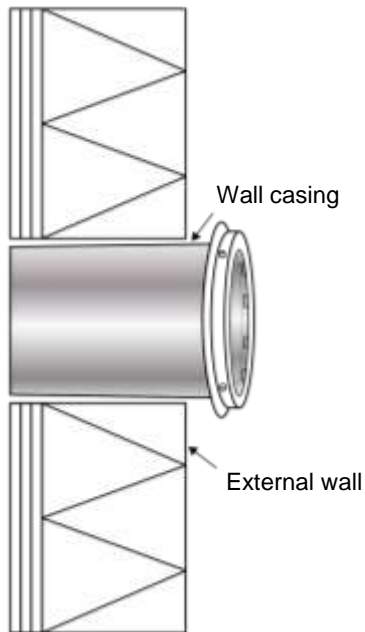
Fit the top tube assembly through the shorter end of the wall mounted casing ensuring that the dome ring is correctly seated onto the lip of the casing as shown below. Remove the clear protective film from the inside of the top tube. Screw the dome ring onto the wall mount casing using the screws provided through the black spacers within the dome ring from the outside in.

Note: Do not overtighten the screws as this may cause damage to the dome ring



2.6 Step 6 - Install the wall mount casing

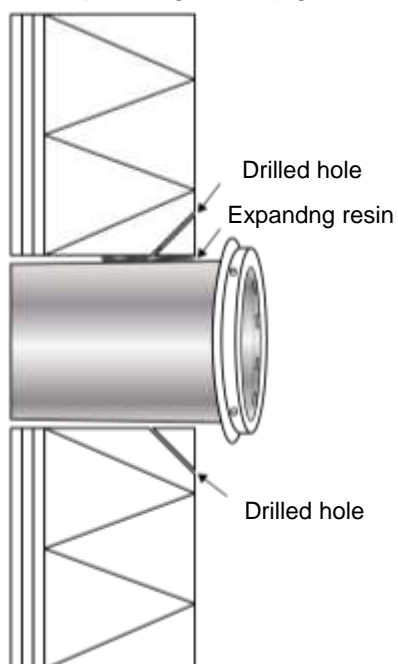
Slide the wall mount casing into the hole created until the collar fits flush to the face of the external wall. Ensure that the casing sits straight (horizontal) in the hole.



2.7 Step 7 - Fix the wall mount casing

Secure the casing into the wall by injecting expanding resin through the four holes previously drilled into the external wall. Any gap between the outside of the casing and inside of the hole in the wall can also be sealed with expanding resin from inside.

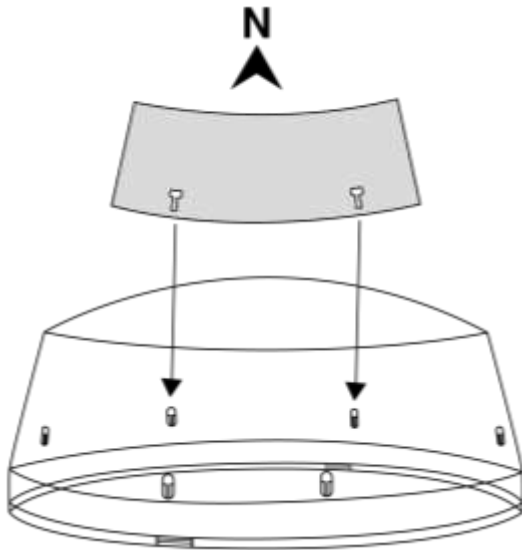
Note: Expanding resin (eg M3000 Tangit) not included.



2.8 Step 8 - Fit LightTracker flex dome insert

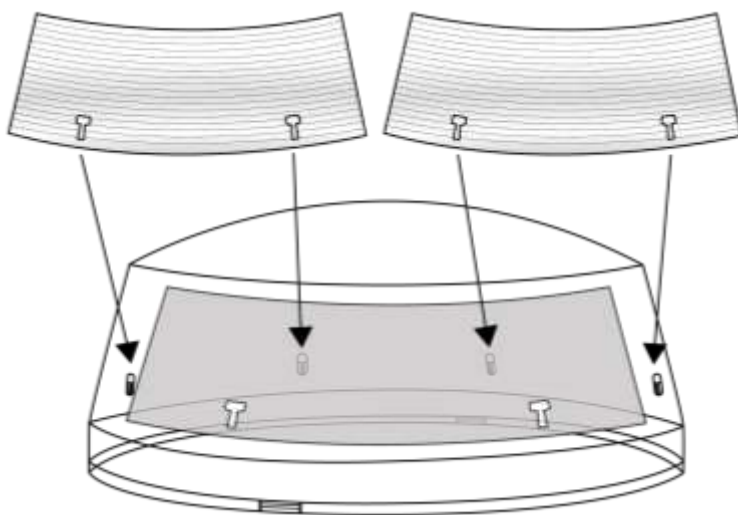
Place the dome upside down on a soft, clean surface. Fit the LightTracker flex (this is the reflective insert) onto the tabs within the dome with the reflective side facing inwards.

Note: if the sunlight on the south side of the dome is blocked, do not mount the LightTracker flex in the dome!



2.9 Step 9 - Fit RayBenders flex dome inserts

Fit the two RayBenders flex Inserts (this is the transparent ribbed insert) onto the remaining tabs within the dome with the smooth side inwards and the ribbed side against the dome.

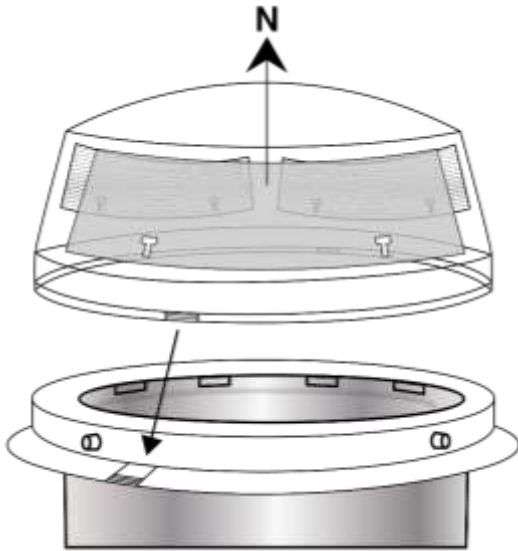


2.10 Step 10 – Fit the dome

Fit the dome onto the dome ring with the LightTracker reflector facing South. Ensure that all 4 connecting clip points are fully engaged.

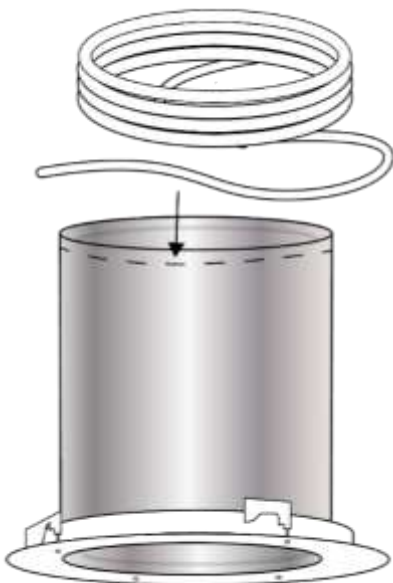
Important: Fit the dome with the LightTracker flex on the north side.

Tip: If you want to remove the dome for any reason, insert the end of a wide bladed flat screwdriver into the opening of the connecting clip points and pry them off one by one.



2.11 Step 11 - Attach the sealing strip

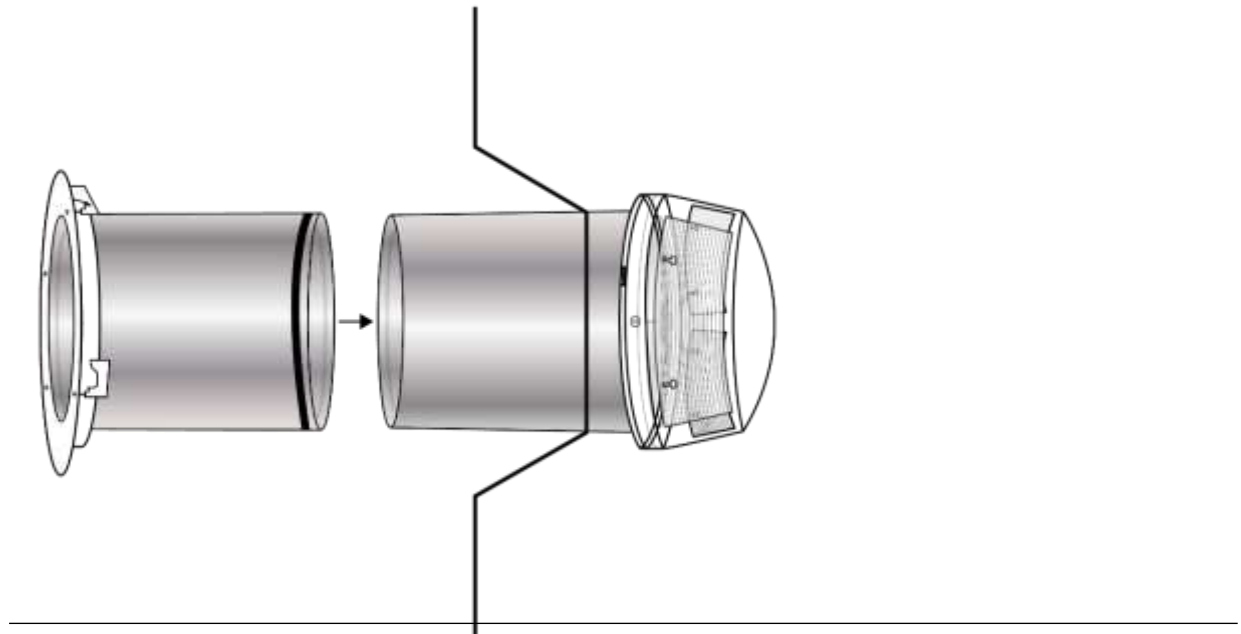
Apply the self-adhesive sealing strip just below the top of the outside of the bottom tube assembly. The seal should wrap twice around the tube, not overlapping but butting up closely. Note: this operation must be performed on the top extension tube if any additional tubing is used.



2.12 Step 12 – Install bottom tube assembly

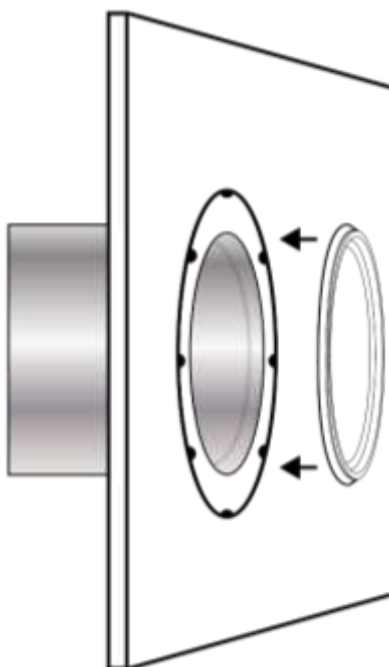
Insert the bottom tube assembly through the mounting ring and then screw the ceiling ring of the bottom tube assembly onto the mounting ring. Apply adhesive / sealant to the rear of the mounting ring and insert the bottom tube assembly into the top tube assembly within the wall until the mounting ring fits tight up against the face of the internal wall.

Tip: Adhesive / sealant (eg Polymax) is not included.



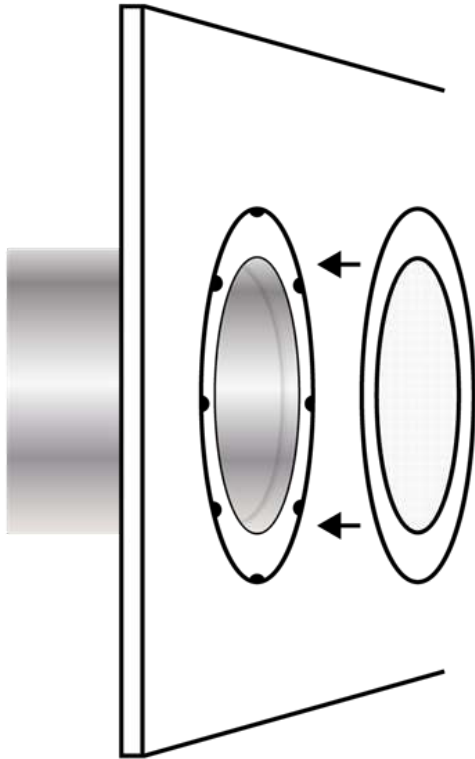
2.13 Step 13 - Natural Effect Lens

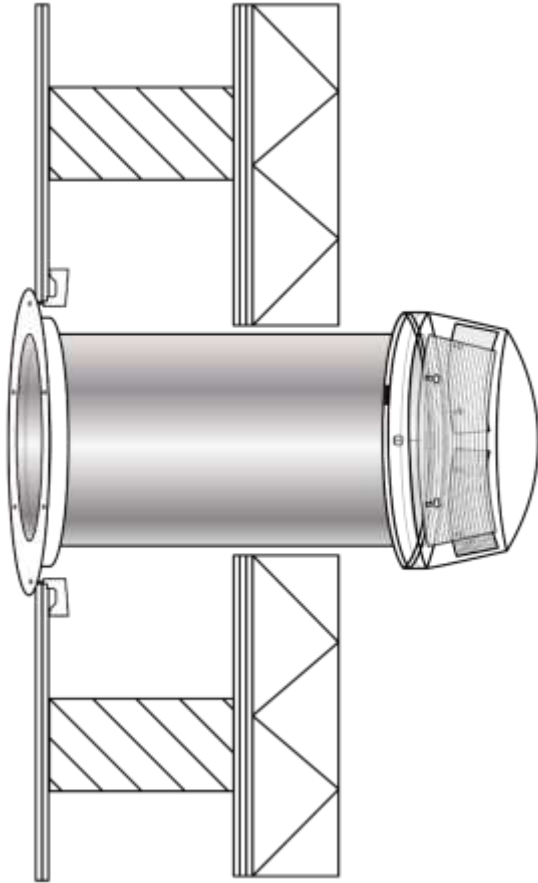
Insert the natural effect lens into the bottom tube assembly until it sits into the recess at the base of the bottom tube assembly, with the clear plastic tab pointing outwards.



2.13 Step 14 – Fit the ceiling diffuser

Hold the ceiling diffuser up over the ceiling ring and align the tabs on the back of the diffuser with the recesses in the ceiling ring. Gently twist the ceiling diffuser in a clockwise direction until it is fully engaged into place.





This completes the installation of your Solatube.

