

# THE INSULATION HANDBOOK

Acoustic and thermal insulation solution guide



[insulation-uk.com](http://insulation-uk.com)

**ISOVER**  
SAINT-GOBAIN

# Applications



# About us

## **Manufacturing Standards and Certifications**

We are committed to the safety, quality and sustainability of our products and manufacturing sites. Therefore we hold and maintain the following standards and certificates:

### **Safety**

To guarantee safety in use, all our insulation products are EUCB certified. This certifies the conformity of the fibres our products are made of, with Note Q of Regulation (EC) No: 1272/2008.

### **Quality and Management Systems**

All our insulation manufacturing plants are certified to the ISO 9001 Quality Management system.

## **Environmental and Sustainability**

All our insulation manufacturing plants are certified to the ISO 14001 Environmental Management System. Our Runcorn manufacturing plant is certified to BES 6001 for responsible sourcing. The vast majority of our structural insulation products manufactured at our Runcorn plant achieve the Eurofins 'Gold' standard for indoor air quality.









### **CE Marking**

All ISOVER insulation products within this brochure are CE marked in accordance with BS EN 13162 (Thermal insulation products for buildings. Factory made mineral wool (MW) products).

### **Other Certifications**

Where required for the application, our products are fully BBA certified.

# Contents

	<b>page</b>
1. Icons	6
2. Application Summary	7
3. Applications	
<hr/>	
 <b>Pitched Roof</b> Joist Level	<b>8</b>
 <b>Pitched Roof</b> Rafter Level	<b>9</b>
 <b>External Walls</b> Masonry, Timber Frame, Façade	<b>10</b>
 <b>Separating Walls</b> Masonry, Timber Frame	<b>13</b>
 <b>Internal Walls</b> Partitions	<b>15</b>
 <b>Ground Floors</b>	<b>17</b>
 <b>Internal Floors</b>	<b>18</b>
 <b>Separating Floors</b>	<b>19</b>
 <b>Built Up Metal Walls &amp; Roofs</b>	<b>21</b>
<hr/>	
4. ISOVER Product Guide	22
5. Products	23

# Icons

# Application Summary

The handbook enables easy identification of a product's application and performance through a set of icons.

## Performance Icons



Eurofins certified products achieve the highest credentials for Indoor Air Quality



Warranty with guaranteed lifetime performance when used as a part of British Gypsum drywall and acoustic floor systems



Certified by the British Board of Agrément (BBA)



Suitable for use in Robust Detail solutions

## Application Icons



Joist Level



Rafter Level



External Walls



Separating Walls



Internal Walls



Ground Floors



Internal Floors



Separating Floors



Façades



Built Up Metal Walls and Roofs

	Roof		Wall					Floor			Other	
	Pitched Roof - Joist Level	Pitched Roof - Rafter Level	External: Masonry	External: Timber Frame	External: Façade	Separating: Masonry	Separating: Timber Frame	Internal: Partitions	Ground Floors	Separating Floors	Internal Floors	Built Up Metal Walls and Roofs
Spacesaver/Spacesaver Ready Cut	✓								✓			
Spacesaver Lite	✓								✓			
Spacesaver Plus	✓								✓			
Metac		✓										
RD Party Wall Roll						✓						
Timber Frame Party Wall Roll							✓					
Cavity Wall Slab 32			✓									
Cavity Wall Slab 34			✓									
Cavity Wall Slab 36			✓									
Timber Frame Roll/Batt				✓			✓					
Polterm Max Plus				✓	✓							
Steel Frame Infill Batt					✓							
Acoustic Partition Roll (APR 1200)								✓		✓	✓	
Acoustic Slab								✓			✓	
UniSlab	✓									✓	✓	
RD Acoustic Floor Slab										✓		
Cladding Roll												✓

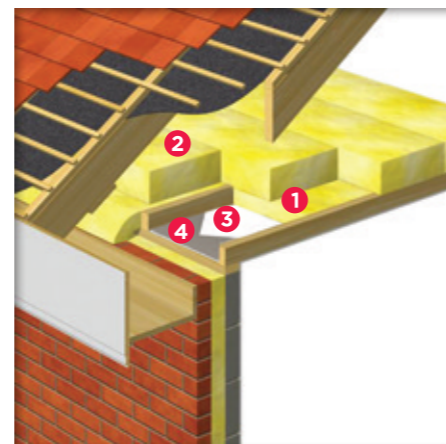
# Pitched Roof



## Joist Level

### Insulation Between and Over Joists

- 1 ISOVER insulation between joists
- 2 ISOVER insulation cross laid over joists
- 3 Recommended: Vapour control layer should be installed to the underside of truss to improve airtightness of the fabric
- 4 12.5mm Gyproc WallBoard



The building detail is for illustrative purposes only. It does not constitute advice and should not be relied upon.



U-value achieved (W/m <sup>2</sup> .K)	Between Joists		Over Joists	
	Product	Thickness (mm)	Product	Thickness (mm)
0.16	Spacesaver. Spacesaver Ready Cut or Spacesaver Lite	100	Spacesaver. Spacesaver Ready Cut or Spacesaver Lite	170
0.15	Spacesaver. Spacesaver Ready Cut or Spacesaver Lite	100	Spacesaver. Spacesaver Ready Cut or Spacesaver Lite	200
0.10	Spacesaver Plus	100	Spacesaver Plus	300 (150+150)
0.08	Spacesaver Plus	100	Spacesaver Plus	400 (200+200)

The table above shows a selection of system details to illustrate performance. For additional options, or for further guidance, please contact our Technical Support Centre - Tel: 01473 820850.

ISOVER Products:



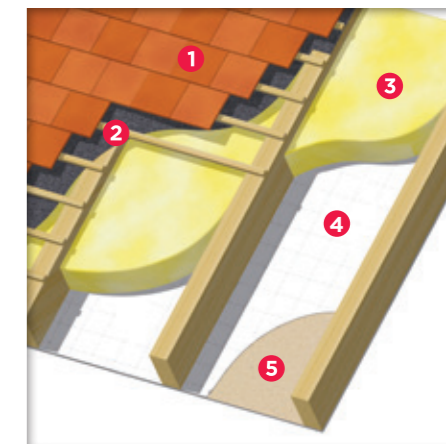
# Pitched Roof



## Rafter Level

### Insulation Between Rafters

- 1 Tiled or slated roof on tiling battens
- 2 Breathable membrane
- 3 Metac between the rafters
- 4 Vapour control layer
- 5 Board lining (thermal laminate option or counter batten filled with insulation not shown)



The building detail is for illustrative purposes only. It does not constitute advice and should not be relied upon.



U-value (W/m <sup>2</sup> .K)*	Insulation between rafters @ 600mm centres	Insulation below rafters
0.19	125mm Metac	Celotex PL4000 50mm + 12.5mm
0.17	125mm Metac	Celotex PL4000 60mm + 12.5mm
0.15	175mm Metac	Celotex PL4000 50mm + 12.5mm
0.14	175mm Metac	Celotex PL4000 60mm + 12.5mm
0.14	200mm Metac	Celotex PL4000 50mm + 12.5mm
0.12	200mm Metac	Celotex PL4000 65mm + 12.5mm

\*Based on 50mm wide rafters.

The table above shows a selection of system details to illustrate performance. For additional options, or for further guidance, please contact our Technical Support Centre - Tel: 01473 820850.

ISOVER Products:



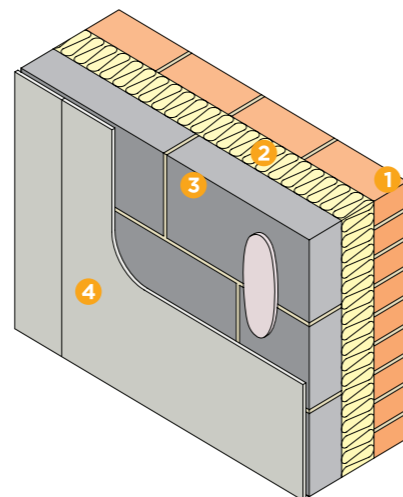
# External Walls



## Masonry

### Cavity Walls - Full-Fill

- 1 External brick
- 2 Cavity fully-filled with CWS
- 3 100mm Aircrete block
- 4 12.5mm Gyproc WallBoard



The building detail is for illustrative purposes only. It does not constitute advice and should not be relied upon.

Masonry External Wall	U-value achieved (W/m <sup>2</sup> .K)	Cavity (mm)	Insulation	Aircrete block (W/m.K)
Extension / New build	0.26	100	CWS 36	0.15
	0.25	100	CWS 34	0.15
	0.24	100	CWS 32	0.15
	0.22	125	CWS 36	0.15
	0.21	125	CWS 34	0.15
	0.20	125	CWS 32	0.15
	0.19	150	CWS 36	0.15
	0.18	150	CWS 34	0.15
	0.17	150	CWS 32	0.15

U-values calculated using standard wall ties.

The table above shows a selection of system details to illustrate performance. For additional options, or for further guidance, please contact our Technical Support Centre - Tel: 01473 820850.



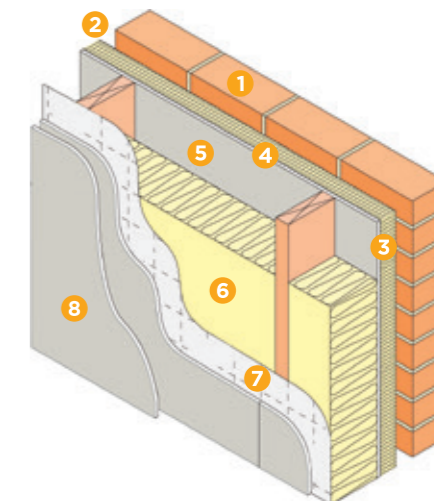
# External Walls



## Timber Frame

### Insulation Between and to Exterior of Studwork

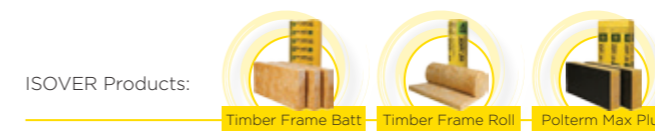
- 1 External brick
- 2 Clear cavity
- 3 Polterm Max Plus outside frame
- 4 Breather membrane
- 5 Sheathing board
- 6 ISOVER insulation between studs
- 7 Vapour control layer
- 8 2 x 12.5mm Gyproc WallBoard



The building detail is for illustrative purposes only. It does not constitute advice and should not be relied upon.

Timber External Wall	U-value achieved (W/m <sup>2</sup> .K)	Stud Depth (mm)	Insulation between studs	Insulation outside frame
Extension	0.27	140	Timber Frame Roll / Batt 35	N/A
New build	0.26	140	Timber Frame Roll / Batt / 32	
	0.21	140	Timber Frame Batt 43	50mm Polterm Max Plus
	0.19	140	Timber Frame Batt/Roll 32	

The table above shows a selection of system details to illustrate performance. For additional options, or for further guidance, please contact our Technical Support Centre - Tel: 01473 820850.



# External Walls

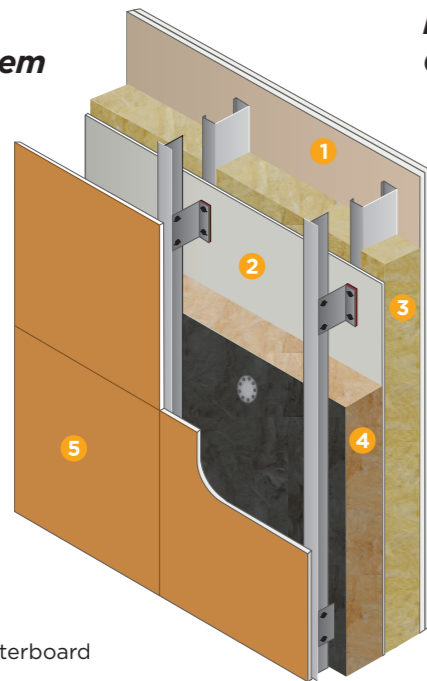


# Separating Walls



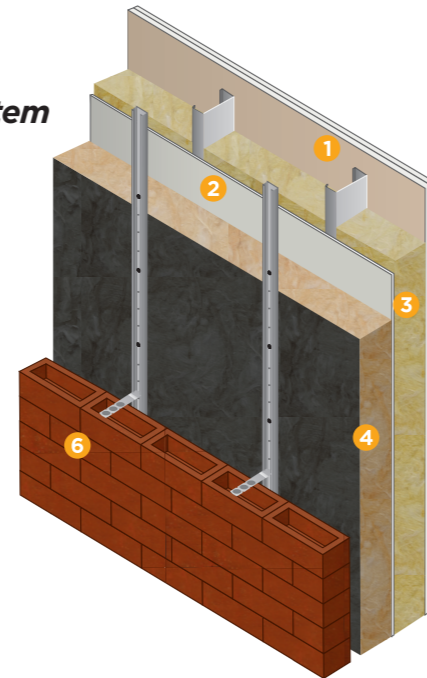
## Façade

### Rainscreen Cladding System



- 1 2 x 12.5mm plasterboard
- 2 12.5mm weathertight sheathing board
- 3 Steel Frame Infill Batt
- 4 Polterm Max Plus
- 5 Rainscreen façade
- 6 Masonry façade

### Masonry Cladding System



The building detail is for illustrative purposes only. It does not constitute advice and should not be relied upon.



For system details to achieve a range of U-values, please contact our Technical Support Centre - Tel: 01473 820850.

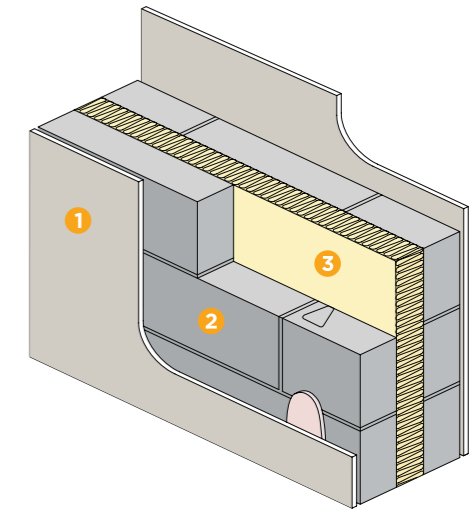
ISOVER Products:



## Masonry

### Robust Details

- 1 Minimum 8 kg/m<sup>2</sup> plasterboard
- 2 Block
- 3 Cavity fully-filled with RD Party Wall Roll



The building detail is for illustrative purposes only. It does not constitute advice and should not be relied upon.

Masonry Party Wall	Code for Sustainable Homes Credits	Acoustic performance dB (D <sub>nT,w</sub> + C <sub>w</sub> )	Minimum cavity (mm)	Block	Insulation	Zero U-value
E-WM-17	3	50	75	Aggregate	RD Party Wall Roll	YES (1)
E-WM-20*			100			
E-WM-24			100			

(1) When fully filling the party wall cavity and in combination with plastic sleeved cavity barriers where appropriate, RD Party Wall Roll can achieve a zero U-value as defined in Building Regulations (Approved Document L1A, Table 3).

\*Scotland V-WM-20.

The table above shows a selection of system details to illustrate performance. For additional options, or for further guidance, please contact our Technical Support Centre - Tel: 01473 820850.

ISOVER Products:



Technical Support Centre - Tel: 01473 820850

# Separating Walls



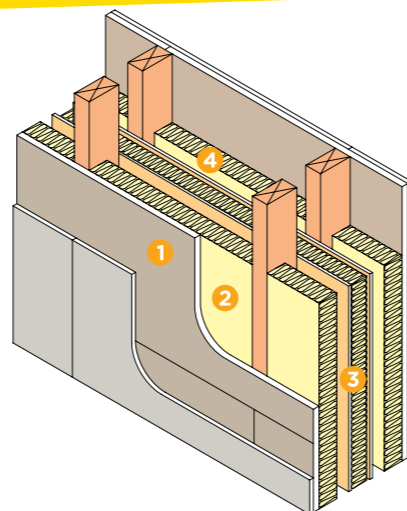
# Internal Walls



## Timber

### Timber Frame Party Walls

- 1 2 or more layers of gypsum-based board minimum 22 kg/m<sup>2</sup> mass with all joints staggered
- 2 Timber Frame Batt 40, 90mm between studs
- 3 Timber Frame Party Wall Roll, 50mm
- 4 Timber Frame Batt 40, 90mm between studs



The building detail is for illustrative purposes only. It does not constitute advice and should not be relied upon.



#### England and Wales

Timber Party Wall	Acoustic performance dB (D <sub>nT,w</sub> + C <sub>tr</sub> )	Insulation within stud	Insulation in cavity	Minimum cavity width	Board Lining	Zero U-value
E-WT-2	≥45	Timber Frame Batt 40 90mm	Timber Frame Party Wall Roll 50mm	50	Gypsum-based board	YES (1)

#### Scotland

Timber Party Wall	Acoustic performance dB (D <sub>nT,w</sub> )	Insulation within stud	Insulation in cavity	Minimum cavity width	Board Lining	Zero U-value
V-WT-2	≥56	Timber Frame Batt 40 90mm	Timber Frame Party Wall Roll 50mm	50	Gypsum-based board	YES (1)

(1) When fully filling the party wall cavity and in combination with plastic sleeved cavity barriers where appropriate, Timber Frame Party Wall Roll can achieve a zero U-value as defined in Building Regulations (Approved Document L1A, Table 3).

The tables above show a selection of system details to illustrate performance. For additional options, or for further guidance, please contact our Technical Support Centre - Tel: 01473 820850.

ISOVER Products:

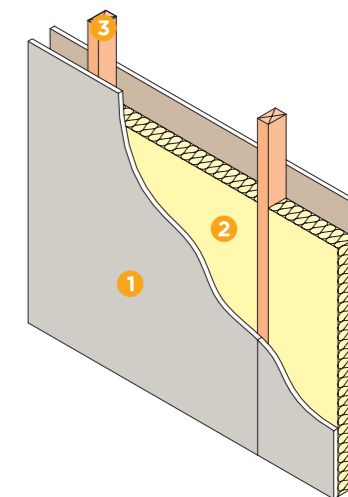


robustdetails®

## Timber Studs

### Internal Partitions

- 1 Gyproc WallBoard / Gyproc SoundBloc
- 2 Acoustic Partition Roll (APR 1200) between studs
- 3 Timber studs



The building detail is for illustrative purposes only. It does not constitute advice and should not be relied upon.



dB R <sub>w</sub> achieved	Partition thickness (mm)	Stud (mm)	Insulation within stud (mm)	WallBoard
41	88	63mm x 38mm timber stud	Acoustic Partition Roll (APR 1200) 65mm	1 x 12.5mm Gyproc WallBoard
44	93	63mm x 38mm timber stud	Acoustic Partition Roll (APR 1200) 50mm	1 x 15mm Gyproc WallBoard
56	141*	75mm x 38mm timber stud	Acoustic Partition Roll (APR 1200) 50mm	2 x 12.5mm Gyproc SoundBloc
59	157*	75mm x 38mm timber stud	Acoustic Partition Roll (APR 1200) 50mm	2 x 12.5mm Gyproc SoundBloc

\* 56dB and 59dB timber stud partitions use Resilient Bars to isolate the plasterboard from the stud.

The table above shows a selection of system details to illustrate performance. For additional options, or for further guidance, please contact our Technical Support Centre - Tel: 01473 820850.

ISOVER Products:





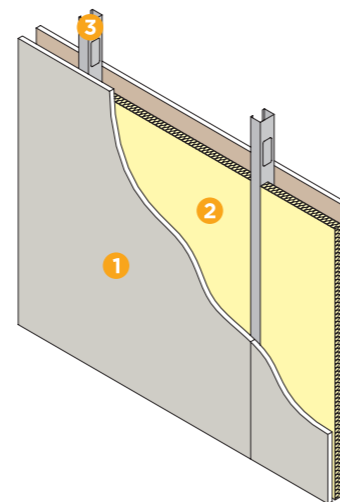
# Internal Walls



## Metal Studs

### Internal Partitions

- 1 Gyproc WallBoard / Gyroc SoundBloc
- 2 Acoustic Partition Roll (APR 1200)
- 3 Gypframe metal studs



The building detail is for illustrative purposes only. It does not constitute advice and should not be relied upon.

dB R <sub>w</sub> achieved	Partition thickness (mm)	Stud (mm)	Insulation within stud (mm)	WallBoard
41	75	Gypframe 48 S 50 'C' stud	Acoustic Partition Roll (APR 1200) 50mm	1 x 12.5mm Gyproc WallBoard
44	102	Gypframe 70 S 50 'C' stud	Acoustic Partition Roll (APR 1200) 50mm	1 x 15mm Gyproc WallBoard
56	132	Gypframe 70 S 50 'C' stud	Acoustic Partition Roll (APR 1200) 50mm	2 x 15mm Gyproc SoundBloc
59	208	Gypframe 146 S 50 'C' stud	Acoustic Partition Roll (APR 1200) 50mm	2 x 15mm Gyproc SoundBloc

The table above shows a selection of system details to illustrate performance. For additional options, or for further guidance, please contact our Technical Support Centre - Tel: 01473 820850.



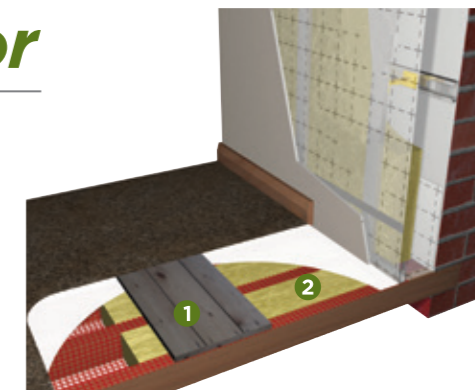
These products carry a lifetime warranty when used in British Gypsum SpecSure® lifetime system warranted drywall and floor systems.

# Ground Floors



## Suspended Timber Floor

- 1 Timber walking surface
- 2 200mm Spacesaver between joists (supported with netting below)



The building detail is for illustrative purposes only. It does not constitute advice and should not be relied upon.

P/A ratio	Insulation between joists* 200mm Spacesaver U-value achieved (W/m².K)
0.1	0.13
0.2	0.16
0.3	0.17
0.4	0.18
0.5	0.19

Joists assumed to be 50mm wide at 450mm centres. \* Supported with netting below.

The table above shows a selection of system details to illustrate performance. For additional options, or for further guidance, please contact our Technical Support Centre - Tel: 01473 820850.



P/A ratio	Insulation between joists* 200mm Spacesaver U-value achieved (W/m².K)
0.6	0.19
0.7	0.20
0.8	0.20
0.9	0.20

# Internal Floors

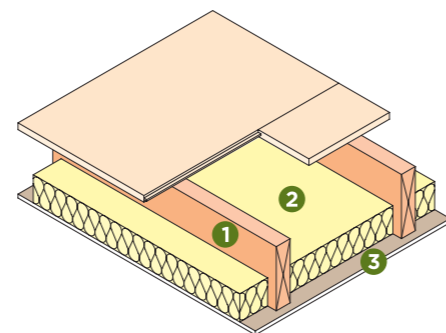


# Separating Floors



## Timber

- 1 Timber joist floor with wood based flooring (minimum 15kg/m<sup>2</sup>)
- 2 100mm Acoustic Partition Roll (APR 1200)
- 3 12.5mm Gyproc WallBoard TEN



The building detail is for illustrative purposes only. It does not constitute advice and should not be relied upon.



dB R <sub>w</sub> Achieved	Insulation between joists	Board lining
40	APR 1200, 100mm	12.5mm Gyproc WallBoard TEN
43	APR 1200, 100mm	2 x 12.5mm Gyproc WallBoard TEN

The table above shows a selection of system details to illustrate performance. For additional options, or for further guidance, please contact our Technical Support Centre - Tel: 01473 820850.

ISOVER Products:



Acoustic Partition Roll

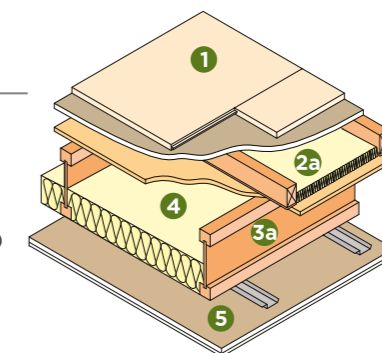
ISOVER Products:



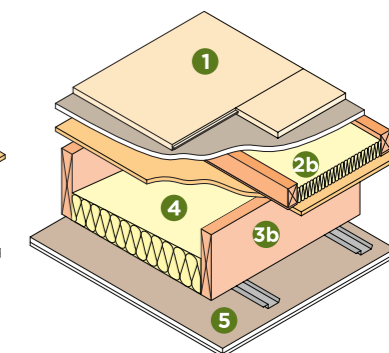
Acoustic Partition Roll

## Timber

- 1 Floating floor
- 2a 25mm Acoustic Partition Roll (APR 1200)
- 2b 60mm Acoustic Partition Roll (APR 1200)
- 3a 235mm (min) timber I-joists
- 3b 220mm (min) solid timber joists at maximum 400mm centres
- 4 100mm Acoustic Partition Roll (APR 1200)
- 5 Ceiling treatment



Floor type A



Floor type B

The building detail is for illustrative purposes only. It does not constitute advice and should not be relied upon.



Floor type A	Acoustic performance dB (D <sub>nT,w</sub> + C <sub>tr</sub> )	Acoustic performance dB (D <sub>nT,w</sub> )	Insulation between I joists	Insulation between floating floor battens
E-FT-1 (England and Wales)	45		APR 1200 100mm	APR 1200 25mm
3B (Scotland)		56	APR 1200 100mm	APR 1200 25mm

Floor type B	Acoustic performance dB (D <sub>nT,w</sub> + C <sub>tr</sub> )	Acoustic performance dB (D <sub>nT,w</sub> )	Insulation between joists	Insulation between floating floor battens
E-FT-2 (England and Wales)	45		APR 1200 100mm	APR 1200 60mm
3A (Scotland)		56	APR 1200 100mm	APR 1200 60mm

Maximum impact sound transmission, England and Wales 62 dB L'<sub>nT,w</sub> and Scotland 56 dB L'<sub>nT,w</sub> also required for Separating Floors.

The tables above shows a selection of system details to illustrate performance. For additional options, or for further guidance, please contact our Technical Support Centre - Tel: 01473 820850.

ISOVER Products:

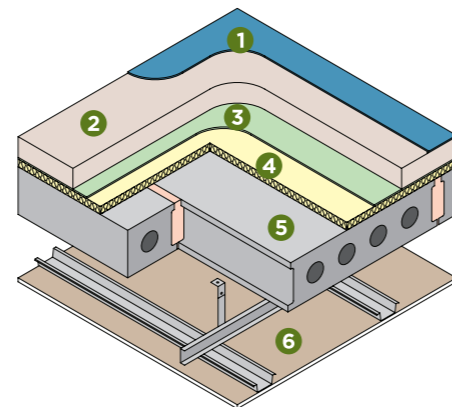


Acoustic Partition Roll



## Concrete

- 1 4.5mm bonded resilient floor covering
- 2 65mm sand cement screed
- 3 5mm foamed polythene layer
- 4 25mm RD Acoustic Floor Slab
- 5 Precast concrete plank, 150mm thick
- 6 One layer of Gyproc WallBoard TEN



Robust Detail, E-FC-8

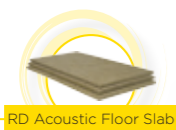
The building detail is for illustrative purposes only. It does not constitute advice and should not be relied upon.



Floor type	Acoustic performance dB ( $D_{nT,w} + C_{tr}$ )	Acoustic performance dB ( $L_{nT,w}$ )	Insulation
E-FC-8	45	62	25mm RD Acoustic Floor Slab

The table above shows a selection of system details to illustrate performance. For additional options, or for further guidance, please contact our Technical Support Centre - Tel: 01473 820850.

ISOVER Products:



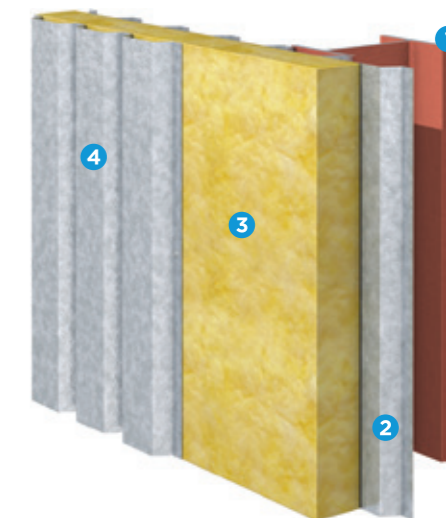
RD Acoustic Floor Slab

robustdetails®

## Walls & Roofs

### Metallic Buildings

- 1 Structural steel column
- 2 Inner liner panel
- 3 Cladding Roll 40\*
- 4 External metal sheet



The building detail is for illustrative purposes only. It does not constitute advice and should not be relied upon.

### Cladding Roll 40\* (Thermal conductivity = 0.040 W/m.K)

U-value achieved (W/m<sup>2</sup>.K)

Roofs	Rail Spacing (mm)			
	Insulation Thickness (mm)	U-value @ 1200 (W/m <sup>2</sup> .K)	U-value @ 1800 (W/m <sup>2</sup> .K)	U-value @ 2400 (W/m <sup>2</sup> .K)
	160	0.28	0.28	0.28
	180	0.25	0.25	0.25
	200	0.23	0.23	0.22
	220	0.21	0.21	0.21
	240	0.19	0.19	0.19
	260	0.18	0.18	0.18

Walls	Rail Spacing (mm)			
	Insulation Thickness (mm)	U-value @ 1200 (W/m <sup>2</sup> .K)	U-value @ 1800 (W/m <sup>2</sup> .K)	U-value @ 2400 (W/m <sup>2</sup> .K)
	160	0.28	0.27	0.27
	180	0.25	0.25	0.24
	200	0.22	0.22	0.22
	220	0.21	0.2	0.2
	240	0.19	0.19	0.19
	260	0.18	0.17	0.17

The tables above show a selection of system details to illustrate performance. For additional options, or for further guidance, please contact our Technical Support Centre - Tel: 01473 820850. \*Cladding Roll 40 in 120mm thickness is also available. For further information and U-Value calculations, please contact our Technical Support Centre.



Product	Thermal Conductivity (W/m.K)	Acoustic	Euroclass Reaction to Fire classification	Generic BRE Green Guide	Page
Spacesaver / Spacesaver Ready-Cut	0.044		A1	A+	23
Spacesaver Lite	0.044		A1	A+	24
Spacesaver Plus	0.040		A1	A+	25
Metac	0.034	✓	A1	A+	26
RD Party Wall Roll	0.036	✓	A1	A+	27
Timber Frame Party Wall Roll	0.036	✓	A1	A+	28
Cavity Wall Slab (CWS)	0.032 - 0.036		A1	A+	29
Timber Frame Roll / Batt	0.032 - 0.043	✓*	A1	A+	31
Polterm Max Plus	0.035	✓	A1	A+	33
Steel Frame Infill Batt	0.036	✓	A1	A+	34
Acoustic Partition Roll (APR 1200)		✓	A1	A+	35
Acoustic Slab		✓	A1	A+	36
UniSlab	0.036	✓	A1	A+	37
RD Acoustic Floor Slab		✓	A1		38
Cladding Roll	0.040	✓	A1	A+	39

\*Not applicable for Timber Frame Batt 43 range



A glass mineral wool roll providing thermal performance for pitched roof, joist level applications. It is available in pre-perforated or ready-cut widths to fit between common joist spacing.



### Product Features and Benefits

- Achieves a Euroclass A1 Reaction to Fire classification, according to BS EN 13501-1
- Helps to reduce heat loss within the building envelope and decrease energy costs
- Longer roll lengths help increase speed of installation and ensure more efficient deliveries and storage

#### Spacesaver

Product Order Code	Thermal Conductivity (W/m.K)	Thermal Resistance (m <sup>2</sup> .K/W)	Thickness (mm)	Width (mm)	Length (mm)	Pack Area (m <sup>2</sup> )	Packs Per Pallet
5200854520	0.044	2.25	100	1160	12180	14.13	24
5200854529	0.044	3.40	150	1160	8050	9.34	24
5200854549	0.044	3.85	170	1160	7030	8.15	24
5200840154	0.044	4.50	200	1160	5200	6.03	24

#### Spacesaver Ready-Cut

Product Order Code	Thermal Conductivity (W/m.K)	Thermal Resistance (m <sup>2</sup> .K/W)	Thickness (mm)	Width (mm)	Length (mm)	Pack Area (m <sup>2</sup> )	Packs Per Pallet
5200861922	0.044	2.25	100	3 x 386	12180	14.10	24
5200862146	0.044	2.25	100	2 x 580	12180	14.13	24
5200861942	0.044	3.40	150	3 x 386	8050	9.32	24
5200861971	0.044	3.40	150	2 x 580	8050	9.34	24
5200861980	0.044	4.50	200	3 x 386	5200	6.02	24
5200861975	0.044	4.50	200	2 x 580	5200	6.03	24

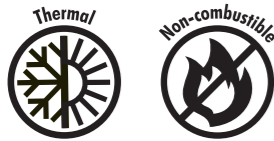
For further guidance, please contact our Technical Support Centre - Tel: 01473 820850.



# Spacesaver Lite



# Spacesaver Plus



Spacesaver Lite is a glass mineral wool roll providing thermal performance for pitched roof, joist level applications. The rolls are shorter and lighter to allow for easier handling on site and are pre-perforated to 3x386mm and 2x580mm widths to fit between common joist spacing.

## Product Features and Benefits

- Achieves a Euroclass A1 Reaction to Fire classification, according to BS EN 13501-1
- Helps to reduce heat loss within the building envelope and decrease energy costs
- Shorter rolls for easier handling and ease of installation



A glass mineral wool roll providing with a thermal conductivity of 0.040W/m.K providing thermal performance for pitched roof, joist level applications. Rolls are pre-perforated to 3 x 386mm and 2 x 580mm widths to fit between common joist spacing.

## Product Features and Benefits

- Achieves a Euroclass A1 Reaction to Fire classification, according to BS EN 13501-1
- Helps to reduce heat loss within the building envelope and decrease energy costs



Product Order Code	Thermal Conductivity (W/m.K)	Thermal Resistance (m <sup>2</sup> .K/W)	Thickness (mm)	Width (mm)	Length (mm)	Pack Area (m <sup>2</sup> )	Packs Per Pallet
5200771442	0.044	2.25	100	1160	7000	8.12	30
5200771435	0.044	3.40	150	1160	4700	5.45	30
5200774795	0.044	3.85	170	1160	4150	4.81	30
5200771402	0.044	4.50	200	1160	3500	4.06	30

For further guidance, please contact our Technical Support Centre - Tel: 01473 820850.

Product Order Code	Thermal Conductivity (W/m.K)	Thermal Resistance (m <sup>2</sup> .K/W)	Thickness (mm)	Width (mm)	Length (mm)	Pack Area (m <sup>2</sup> )	Packs Per Pallet
5200625357	0.040	2.50	100	1160	7000	8.12	24
5200625359	0.040	3.75	150	1160	4670	5.42	24
5200625361	0.040	5.00	200	1160	3500	4.06	24

For further guidance, please contact our Technical Support Centre - Tel: 01473 820850.





An easy to install glass mineral wool 'slab on a roll' insulation solution offering thermal and acoustic benefits for pitched roof between-rafter applications.



### Product Features and Benefits

- Achieves a Euroclass A1 Reaction to Fire classification, according to BS EN 13501-1
- Helps to reduce heat loss within the building envelope and decrease energy costs
- Excellent acoustic performance - Provides a weighted sound reduction of up to 49dB ( $R_w$ ), delivering excellent external noise reduction on-site, compared to other insulation materials\*
- Quick and easy to install - Friction fits between rafters, no slumping, easy to cut and handle

Product Order Code	Thermal Conductivity (W/m.K)	Thermal Resistance ( $m^2.K/W$ )	Thickness (mm)	Width (mm)	Length (mm)	Pack Area ( $m^2$ )	Packs Per Pallet
5200819227	0.034	1.45	50	1200	9300	11.16	18
5200819232	0.034	3.65	125	1200	4800	5.76	18
5200826090	0.034	4.40	150	1200	4100	4.92	18
5200819233	0.034	5.10	175	1200	3500	4.20	18
5200819234	0.034	5.85	200	1200	3200	3.84	18

For further guidance, please contact our Technical Support Centre - Tel: 01473 820850.

\*March 2018 - Salford University Acoustic testing to BS EN ISO 10140-2:2010.



A glass mineral wool roll used to reduce the passage of sound across a masonry party wall. RD Party Wall Roll is designed for use in Robust Detail wall constructions to meet and exceed the acoustic performance requirements set out in Building Regulations Approved Document E (England & Wales).



### Product Features and Benefits

- Achieves a Euroclass A1 Reaction to Fire classification, according to BS EN 13501-1
- Helps reduce the transmission of airborne sound between adjacent properties
- Proprietary component of E-WM-17, E-WM-20 & E-WM-24
- Thermal bypass solution - can achieve a zero U-value for party walls, as defined in Building Regulations (Approved Document L1A, Table 3), when fully filling the party wall cavity and in combination with plastic sleeved cavity barriers at the edges of the cavity
- Removes the need for costly pre-completion sound testing, making it a more cost effective solution to implement
- Easy to install - ready-cut to fit between standard wall tie spacing

Product Order Code	Thermal Conductivity (W/m.K)	Thermal Resistance ( $m^2.K/W$ )	Thickness (mm)	Width (mm)	Length (mm)	Pack Area ( $m^2$ )	Packs Per Pallet
5200625584	0.036	2.05	75	2 x 455	8500	7.74	28
5200625585	0.036	2.75	100	2 x 455	6000	5.46	28
5200625593	0.036	3.45	125	2 x 455	5000	4.55	28
5200625592	0.036	4.15	150	2 x 455	4000	3.64	28

For further guidance, please contact our Technical Support Centre - Tel: 01473 820850.



# Timber Frame Party Wall Roll



A glass mineral wool roll designed to reduce the passage of sound in Robust Detail timber frame separating wall constructions to exceed acoustic performance requirements set out in Approved Document E (England & Wales) and Section 5 (Scotland).

## Product Features and Benefits

- Achieves a Euroclass A1 Reaction to Fire classification, according to BS EN 13501-1
- Helps reduce the transmission of airborne sound between adjacent properties
- Thermal bypass solution - can achieve a zero U-value for party walls, as defined in Building Regulations (Approved Document L1A, Table 3), when fully filling the party wall cavity and in combination with plastic sleeved cavity barriers at the edges of the cavity
- Removes the need for costly pre-completion sound testing, making it a more cost effective solution to implement
- Un-split rolls allow quick coverage of large areas



Product Order Code	Thickness (mm)	Width (mm)	Length (mm)	Pack Area (m <sup>2</sup> )	Packs Per Pallet
5200625559	50	1200	12000	14.40	24
5200625561	75	1200	8000	9.60	24
5200625563	100	1200	6000	7.20	24

For further guidance, please contact our Technical Support Centre - Tel: 01473 820850.



# Cavity Wall Slab (CWS)



A BBA certified glass mineral wool slab range providing thermal performance in external masonry cavity walls. Supplied in 50-150mm thicknesses, the strong, resilient and flexible batts are 455mm wide to fit between standard wall tie spacing.

## Product Features and Benefits

- Achieves a Euroclass A1 Reaction to Fire classification, according to BS EN 13501-1
- Thermal conductivity of 0.032 to 0.036 W/m.K. Helps to reduce heat loss within the building envelope and decrease energy costs
- Manufactured with a water repellent binder
- Approved for use in severe exposure zones



	Product Order Code	Thermal Conductivity (W/m.K)	Thermal Resistance (m <sup>2</sup> .K/W)	Thickness (mm)	Width (mm)	Length (mm)	Batts Per Pack	Pack Area (m <sup>2</sup> )	Packs Per Pallet
CWS 32	5200625457	0.032	2.00	65	455	1200	12	6.55	15
	5200625459	0.032	2.30	75	455	1200	10	5.46	15
	5200625461	0.032	2.65	85	455	1200	8	4.37	15
	5200625463	0.032	3.10	100	455	1200	6	3.28	15
	5200619452	0.032	3.90	125	455	1200	5	2.73	15
	5200619455	0.032	4.65	150	455	1200	4	2.18	15

For further guidance, please contact our Technical Support Centre - Tel: 01473 820850.



# Cavity Wall Slab (CWS)



# Timber Frame Roll/Batt



A glass mineral wool roll/batt providing thermal performance and acoustic benefits in timber frame walls.

## Product Features and Benefits

- Achieves a Euroclass A1 Reaction to Fire classification, according to BS EN 13501-1
- Thermal conductivity of 0.032 to 0.043 W/m.K
- Helps to reduce heat loss within the building envelope and decrease energy costs
- Reduces unwanted noise from external sources helping to improve the acoustic comfort of those living within the building\*
- The roll and batts are sized to fit between standard timber studs with no need for additional fixings



CWS 34	Product Order Code	Thermal Conductivity (W/m.K)	Thermal Resistance (m <sup>2</sup> .K/W)	Thickness (mm)	Width (mm)	Length (mm)	Batts Per Pack	Pack Area (m <sup>2</sup> )	Packs Per Pallet
	5200673468	0.034	2.25	75	455	1200	10	5.46	20
	5200673467	0.034	2.95	100	455	1200	8	4.37	20
	5200679860	0.034	3.70	125	455	1200	6	3.28	20
	5200679864	0.034	4.45	150	455	1200	6	3.28	20

CWS 36	Product Order Code	Thermal Conductivity (W/m.K)	Thermal Resistance (m <sup>2</sup> .K/W)	Thickness (mm)	Width (mm)	Length (mm)	Batts Per Pack	Pack Area (m <sup>2</sup> )	Packs Per Pallet
	5200625441	0.036	1.35	50	455	1200	20	10.92	20
	5200625443	0.036	1.80	65	455	1200	16	8.74	25
	5200625445	0.036	2.05	75	455	1200	16	8.74	20
	5200625447	0.036	2.35	85	455	1200	12	6.55	20
	5200625449	0.036	2.75	100	455	1200	12	6.55	20
	5200625451	0.036	3.45	125	455	1200	8	4.37	25
	5200625453	0.036	4.15	150	455	1200	6	3.28	20

Roll	Product Order Code	Thermal Conductivity (W/m.K)	Thermal Resistance (m <sup>2</sup> .K/W)	Thickness (mm)	Width (mm)	Length (mm)	Pack Area (m <sup>2</sup> )	Packs Per Pallet
	5200774591	0.032	2.80	90mm	2 x 570	4200	4.79	24
	5200818312	0.032	4.35	140mm	2 x 570	2700	3.08	24

For further guidance, please contact our Technical Support Centre - Tel: 01473 820850.

\*Not applicable to Timber Frame Batt 43





# Timber Frame Roll/Batt



# Polterm Max Plus



Roll	Product Order Code	Thermal Conductivity (W/m.K)	Thermal Resistance (m <sup>2</sup> .K/W)	Thickness (mm)	Width (mm)	Length (mm)	Pack Area (m <sup>2</sup> )	Packs Per Pallet
	5200625573	0.035	2.55	90	2 x 570	5300	6.04	18
	5200819811	0.035	2.85	100	2 x 570	5000	5.70	18
	5200625583	0.035	4.00	140	2 x 570	4000	4.56	18
	5200822660	0.035	4.00	140	3 x 400	4000	4.80	18
	5200625582	0.040	2.25	90	2 x 570	10130	11.55	24
	5200625572	0.040	3.50	140	2 x 570	6500	7.41	24

Batt	Product Order Code	Thermal Conductivity (W/m.K)	Thermal Resistance (m <sup>2</sup> .K/W)	Thickness (mm)	Width (mm)	Length (mm)	Pack Area (m <sup>2</sup> )	Packs Per Pallet	Batts Per Pack
	5200625331	0.032	1.55	50	570	1175	6.03	16	9
	5200625329	0.032	2.80	90	570	1175	3.35	20	5
	5200543056	0.032	4.35	140	570	1175	3.35	16	5
	5200625414	0.035	2.55	90	570	1175	6.70	16	10
	5200625335	0.035	2.85	100	570	1175	5.36	16	8
	5200625388	0.035	4.00	140	570	1175	4.02	16	6
	5200625333	0.035	4.25	150	570	1175	4.02	16	6
	5200625341	0.040	2.25	90	570	1175	9.38	20	14
	5200625345	0.040	3.50	140	570	1175	5.36	24	8
	5200625339	0.043	2.05	90	570	1175	8.04	24	12
	5200625337	0.043	3.25	140	570	1175	5.36	24	8

For further guidance, please contact our Technical Support Centre - Tel: 01473 820850.



A non combustible stone wool slab providing thermal performance and acoustic benefits within ventilated rainscreen cladding and overcladding systems. Certified by the BBA, Polterm Max Plus features a black glass veil which contributes to the aesthetics of the installation, preventing any 'show through' of the insulation from behind the façade system.

## Product Features and Benefits

- Achieves a Euroclass A1 Reaction to Fire classification, according to BS EN 13501-1
- Helps to reduce heat loss within the building envelope and decrease energy costs
- The slabs will help improve the acoustic performance of the external envelope, reducing unwanted external noise such as weather, aircraft, vehicles and trains
- Straightforward to install using standard insulation retaining fixings. The slabs will knit together when tightly butt jointed, eliminating gaps which could compromise performance
- Contains a water repellent additive to protect against moisture ingress



Product Order Code*	Thermal Conductivity (W/m.K)	Thermal Resistance (m <sup>2</sup> .K/W)	Thickness (mm)*	Width (mm)	Length (mm)	Pack Area (m <sup>2</sup> )	Packs Per Pallet
5200857710	0.035	1.70	60	600	1200	5.76	20
5200859245	0.035	2.10	75	600	1200	4.32	20
5200845634	0.035	2.85	100	600	1200	2.88	20
5200845635	0.035	3.40	120	600	1200	2.16	24
5200859246	0.035	3.55	125	600	1200	2.16	24
5200845636	0.035	4.25	150	600	1200	2.16	20

For further guidance, please contact our Technical Support Centre - Tel: 01473 820850.

\*Additional 'made to order' thicknesses between 50-200mm available on request, subject to minimum order quantities.



# Steel Frame Infill Batt 36



# Acoustic Partition Roll (APR 1200)



A glass mineral wool insulation, supplied in 600 x 1200mm batts, providing thermal performance and acoustic benefits. It is suitable for use within the stud framework of lightweight steel frame external walls.

## Product Features and Benefits

- Achieves a Euroclass A1 Reaction to Fire classification, according to BS EN 13501-1
- Helps to reduce heat loss within the building envelope and decrease energy costs
- Reduces unwanted noise from external sources helping to improve the acoustic comfort of those living or working in the building
- Supplied in 600mm widths to fit between standard steel framework centres



Product Order Code	Thermal Conductivity (W/m.K)	Thermal Resistance (m <sup>2</sup> .K/W)	Thickness (mm)	Width (mm)	Length (mm)	Batts Per Pack	Pack Area (m <sup>2</sup> )	Packs Per Pallet
5200879060	0.034	2.60	90	600	1200	8	5.76	20
5200879059	0.034	2.90	100	600	1200	8	5.76	20
5200879065	0.034	3.50	120	600	1200	6	4.32	20
5200879061	0.034	4.40	150	600	1200	4	2.88	20

For further guidance, please contact our Technical Support Centre - Tel: 01473 820850.



A glass mineral wool acoustic roll designed to help meet the requirements of Building Regulations (England & Wales) Approved Document E and (Scotland) Technical Standards Section 5.

## Product Features and Benefits

- Achieves a Euroclass A1 Reaction to Fire classification, according to BS EN 13501-1
- Provides high levels of acoustic insulation in partitions, walls and floors
- SpecSure® Warranty - guaranteed lifetime performance when used as a part of British Gypsum drywall and acoustic floor systems
- The product is backed by one of the UK's most comprehensive libraries of system performance tests conducted in conjunction with British Gypsum
- Supplied in 2 x 600mm rolls for an easy push-fit between 600mm stud centres



Product Order Code	Thickness (mm)	Width (mm)	Length (mm)	Pack Area (m <sup>2</sup> )	Packs Per Pallet
5200625577	25	2 x 600	20000	24.00	24
5200625578	50	2 x 600	13000	15.60	24
5200625579	65	2 x 600	10000	12.00	24
5200625580	75	2 x 600	12200	14.64	24
5200625581	100	2 x 600	9170	11.00	24

For further guidance, please contact our Technical Support Centre - Tel: 01473 820850.



# Acoustic Slab



# UniSlab



A glass mineral wool slab designed to help meet the requirements of Building Regulations (England & Wales) Approved Document E and (Scotland) Technical Standards Section 5.

Acoustic Slab provides high levels of acoustic performance in partitions, floors and ceilings.

## Product Features and Benefits

- Achieves a Euroclass A1 Reaction to Fire classification, according to BS EN 13501-1
- Delivers a measurable reduction in sound transmission in a number of internal acoustic applications
- SpecSure® Warranty - guaranteed lifetime performance when used as a part of British Gypsum drywall and acoustic floor systems
- Cut to 600mm widths for ease of fitting between standard stud spacings



Product Order Code	Thickness (mm)	Width (mm)	Length (mm)	Pack Area (m <sup>2</sup> )	Packs Per Pallet
5200625433	50	600	1200	11.52	20
5200625435	75	600	1200	7.20	20
5200625437	100	600	1200	5.76	20

For further guidance, please contact our Technical Support Centre - Tel: 01473 820850.



A multi-purpose glass mineral wool slab ideal for the thermal and acoustic insulation of internal floors, separating floors and pitched roofs at joist level.

## Product Features and Benefits

- Achieves a Euroclass A1 Reaction to Fire classification, according to BS EN 13501-1
- Helps to reduce heat loss within the building envelope and decrease energy costs
- Friction fits between 600mm and 400mm stud centres with no need for additional fixings



Product Order Code	Thermal Conductivity (W/m.K)	Thermal Resistance (m <sup>2</sup> .K/W)	Thickness (mm)	Width (mm)	Length (mm)	Batts Per Pack	Pack Area (m <sup>2</sup> )	Packs Per Pallet
5200819707	0.036	1.35	50	600	1200	16	11.52	20
5200819708	0.036	2.05	75	600	1200	10	7.20	20
5200819710	0.036	2.75	100	600	1200	8	5.76	20
5200819711	0.036	3.85	140	600	1200	6	4.32	16
5200819719	0.036	1.35	50	400	1200	16	7.68	24
5200819716	0.036	2.75	100	400	1200	8	3.84	24
5200819797	0.036	3.85	140	400	1200	6	2.88	20

For further guidance, please contact our Technical Support Centre - Tel: 01473 820850.



# RD Acoustic Floor Slab



# Cladding Roll



A stone wool insulation designed to act as a resilient platform floor layer in Robust Detail E-FC-8 for the reduction of impact and airborne sound.

## Product Features and Benefits

- Achieves a Euroclass A1 Reaction to Fire classification, according to BS EN 13501-1
- Helps reduce unwanted noise between adjacent properties when used as part of Robust Detail floor construction E-FC-8
- Slabs are lightweight and easy to cut and install, allowing fast coverage of large areas



Product Order Code	Thickness (mm)	Width (mm)	Length (mm)	Pack Area (m <sup>2</sup> )	Packs Per Pallet
5200013705	25	625	1200	4.5	21

For further guidance, please contact our Technical Support Centre - Tel: 01473 820850.



A glass mineral wool roll range providing thermal performance and acoustic benefits for use in built-up metal roofs and walls. The range is supplied in 1200mm wide rolls for quick coverage of large areas.

## Product Features and Benefits

- Achieves a Euroclass A1 Reaction to Fire classification, according to BS EN 13501-1
- Thermal conductivity of 0.037W/m.K and 0.040 W/m.K. Helps to reduce heat loss within the building envelope and decrease energy costs
- Reduces unwanted noise from external sources helping to improve the acoustic comfort of those working within the building



### Cladding Roll 37

Product Order Code	Thermal Conductivity (W/m.K)	Thermal Resistance (m <sup>2</sup> .K/W)	Thickness (mm)	Width (mm)	Length (mm)	Pack Area (m <sup>2</sup> )	Packs Per Pallet
5200625394	0.037	3.20	120	1200	5050	6.06	24

### Cladding Roll 40

Product Order Code	Thermal Conductivity (W/m.K)	Thermal Resistance (m <sup>2</sup> .K/W)	Thickness (mm)	Width (mm)	Length (mm)	Pack Area (m <sup>2</sup> )	Packs Per Pallet
5200625408	0.040	2.00	80	1200	10200	12.24	24
5200625400	0.040	2.50	100	1200	8200	9.84	24
5200625402	0.040	3.00	120	1200	6800	8.16	24
5200625410	0.040	3.50	140	1200	5850	7.02	24
5200625412	0.040	4.00	160	1200	5100	6.12	24
5200625404	0.040	4.50	180	1200	4500	5.40	24
5200625406	0.040	5.00	200	1200	4100	4.92	24

For further guidance, please contact our Technical Support Centre - Tel: 01473 820850.





**ISOVER**

White House Industrial Estate,  
Runcorn, Cheshire WA7 3DP

**Customer Service -  
Order Placement and Enquiries**

Tel: 01473 820820

Email: [iukcustomerservice@saint-gobain.com](mailto:iukcustomerservice@saint-gobain.com)

**Technical Support Centre**

Tel: 01473 820850

Email: [technicalsupport@saint-gobain.com](mailto:technicalsupport@saint-gobain.com)

**[insulation-uk.com](http://insulation-uk.com)**

Published date: September 2020

Document reference: 001-395

Saint-Gobain ISOVER reserve the right to alter or amend product specification without notice. The information given in this publication is correct to the best of our knowledge at the time of publication.

Whilst Saint-Gobain ISOVER will endeavor to ensure publications are up to date, it is the users responsibility to check with us that it is correct prior to use.

Saint-Gobain Isover UK Limited registered in England, Company registered number 10442670,  
Registered Office Address; Saint-Gobain House, Binley Business Park, Coventry, CV3 2TT